

# ДЕМПФЕРЫ PD-P



Архангельск (8182)63-90-72  
Астана (7172)727-132  
Астрахань (8512)99-46-04  
Барнаул (3852)73-04-60  
Белгород (4722)40-23-64  
Брянск (4832)59-03-52  
Владивосток (423)249-28-31  
Волгоград (844)278-03-48  
Вологда (8172)26-41-59  
Воронеж (473)204-51-73  
Екатеринбург (343)384-55-89

Иваново (4932)77-34-06  
Ижевск (3412)26-03-58  
Иркутск (395)279-98-46  
Казань (843)206-01-48  
Калининград (4012)72-03-81  
Калуга (4842)92-23-67  
Кемерово (3842)65-04-62  
Киров (8332)68-02-04  
Краснодар (861)203-40-90  
Красноярск (391)204-63-61  
Курск (4712)77-13-04  
Липецк (4742)52-20-81

Магнитогорск (3519)55-03-13  
Москва (495)268-04-70  
Мурманск (8152)59-64-93  
Набережные Челны (8552)20-53-41  
Нижний Новгород (831)429-08-12  
Новокузнецк (3843)20-46-81  
Новосибирск (383)227-86-73  
Омск (3812)21-46-40  
Орел (4862)44-53-42  
Оренбург (3532)37-68-04  
Пенза (8412)22-31-16

Пермь (342)205-81-47  
Ростов-на-Дону (863)308-18-15  
Рязань (4912)46-61-64  
Самара (846)206-03-16  
Санкт-Петербург (812)309-46-40  
Саратов (845)249-38-78  
Севастополь (8692)22-31-93  
Симферополь (3652)67-13-56  
Смоленск (4812)29-41-54  
Сочи (862)225-72-31  
Ставрополь (8652)20-65-13

Сургут (3462)77-98-35  
Тверь (4822)63-31-35  
Томск (3822)98-41-53  
Тула (4872)74-02-29  
Тюмень (3452)66-21-18  
Ульяновск (8422)24-23-59  
Уфа (347)229-48-12  
Хабаровск (4212)92-98-04  
Челябинск (351)202-03-61  
Череповец (8202)49-02-64  
Ярославль (4852)69-52-93

Россия (495)268-04-70 Киргизия (996)312-96-26-47 Казахстан (772)734-952-31

Единый адрес для всех регионов: [www.verderair.nt-rt.ru](http://www.verderair.nt-rt.ru) || [vru@nt-rt.ru](mailto:vru@nt-rt.ru)

# Verderair PD-P10



PD-P10

## Technical data PD-P10

Nominal port size	PD-P10 xx xx TN	3/8 NPT male
Air inlet		R 1/8
Weight [kg]	PD-P10 EA xx TN	0,4
	PD-P10 EG xx TN	0,4
	PD-P10 TA xx TN	0,5
	PD-P10 TG xx TN	0,5
	PD-P10 GG xx TN	0,4
	PD-P10 UG xx TN	0,5
Max. operation pressure [Bar]		7
Max. operating temperature [°C]	PD-P10 EA or PD-P10 EG	70
	PD-P10 TA	100
	PD-P10 GG	70
	PD-P10 TG or PD-P10 UG	70

## CODE PD-P10 No.1 No.2 No.3 No.4

### No.1 Liquid Housing

- E = Polyethylene (PE UHMW)
- G = Conductive Polyethylene (PE UHMW)
- T = PTFE
- U = Conductive PTFE

### no.2 Air Section

- G = Conductive Polyethylene (PE UHMW)
- A = Polyamide

### No.3 Diaphragm

- EO = EPDM Overmolded
- TO = PTFE Overmolded

### No.4 Fluid Connection

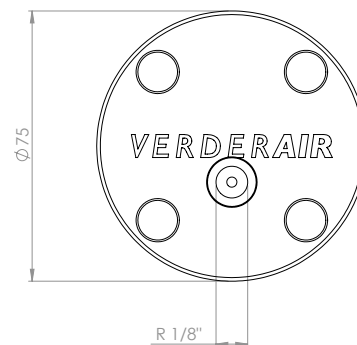
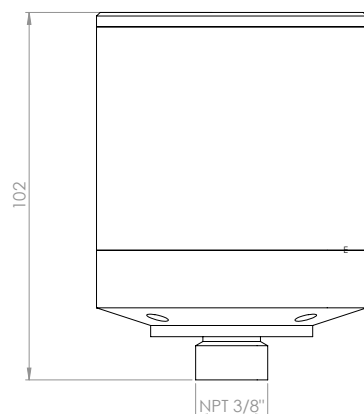
- TN = NPT Threaded male

**Note: Not all combinations are available**

EXAMPLE PUMP TYPE

EXAMPLE : PD-P10EA EO TN

II 2GD c II B T70



Dimensions in mm

# Verderair PD-P15



PD-P15

## Technical data PD-P15

Nominal port size	PD-P15 xx xx TN	1/2 NPT male
	PD-P15 xx xx FS	Flanged DIN DN15, ANSI 1/2
Air inlet		R 1/8
Weight [kg]	PD-P15 EA xx TN	0,6
	PD-P15 EG xx TN	0,8
	PD-P15 TA xx TN	1,2
	PD-P15 TG xx TN	1,1
	PD-P15 GG xx TN	0,8
	PD-P15 UG xx TN	1
	PD-P15 EA xx FS	0,9
	PD-P15 EG xx FS	0,9
	PD-P15 TA xx FS	1,4
	PD-P15 TG xx FS	1,3
	PD-P15 GG xx FS	0,8
	PD-P15 UG xx FS	1,2
Max. operation pressure [Bar]		7
Max. operating temperature [°C]	PD-P15 EA or PD-P15 EG	70
	PD-P15 TA	120
	PD-P15 GG	70
	PD-P15 TG or PD-P15 UG	70

## CODE PD-P15 No.1 No.2 No.3 No.4

### No.1 Liquid Housing

E = Polyethylene (PE UHMW)

G = Conductive Polyethylene (PE UHMW)

T = PTFE

U = Conductive PTFE

### no.2 Air Section

G = Conductive Polyethylene (PE UHMW)

A = Polyamide

### No.3 Diaphragm

EO = EPDM Overmolded

TO = PTFE Overmolded

### No.4 Fluid Connection

TN = NPT Threaded male

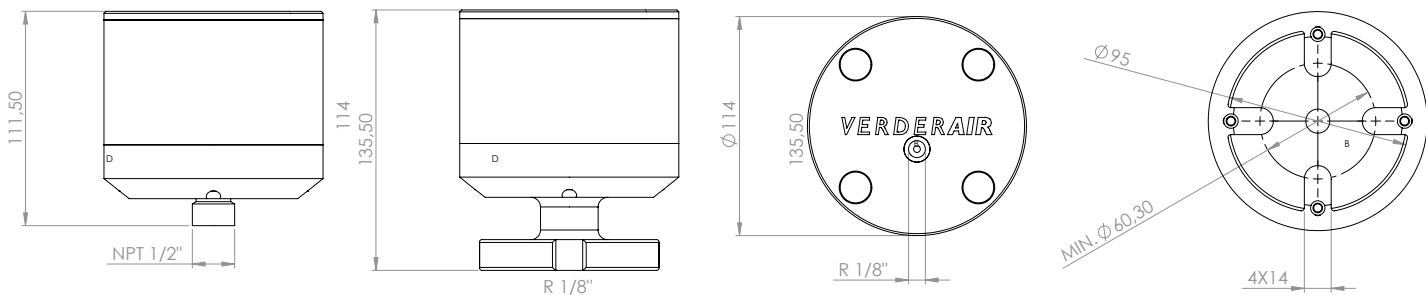
FS = Flanged slotted for DIN/ANSI/JIS

**Note: Not all combinations are available**

EXAMPLE PUMP TYPE

EXAMPLE : PD-P15EA EO TN

II 2GD c II B T70



Dimensions in mm

# Verderair

## PD-P25



PD-P25

### Technical data PD-P25

Nominal port size	PD-P25 xx xx TN	1 NPT male
	PD-P25 xx xx FS	Flanged DIN DN25, ANSI 1
Air inlet		R 1/8
Weight [kg]	PD-P25 EA xx TN	2
	PD-P25 EG xx TN	1,8
	PD-P25 TA xx TN	2,4
	PD-P25 TG xx TN	2,2
	PD-P25 GG xx TN	1,7
	PD-P25 UG xx TN	2,1
	PD-P25 EA xx FS	2,1
	PD-P25 EG xx FS	1,9
	PD-P25 TA xx FS	2,8
	PD-P25 TG xx FS	2,6
	PD-P25 GG xx FS	1,9
	PD-P25 UG xx FS	2,5
Max. operation pressure [Bar]		7
Max. operating temperature [°C]	PD-P25 EA or PD-P25 EG	70
	PD-P25 TA	120
	PD-P25 GG	70
	PD-P25 TG or PD-P25 UG	70

### CODE PD-P25 No.1 No.2 No.3 No.4

#### No.1 Liquid Housing

E = Polyethylene (PE UHMW)

G = Conductive Polyethylene (PE UHMW)

T = PTFE

U = Conductive PTFE

#### no.2 Air Section

G = Conductive Polyethylene (PE UHMW)

A = Polyamide

#### No.3 Diaphragm

EO = EPDM Overmolded

TO = PTFE Overmolded

#### No.4 Fluid Connection

TN = NPT Threaded male

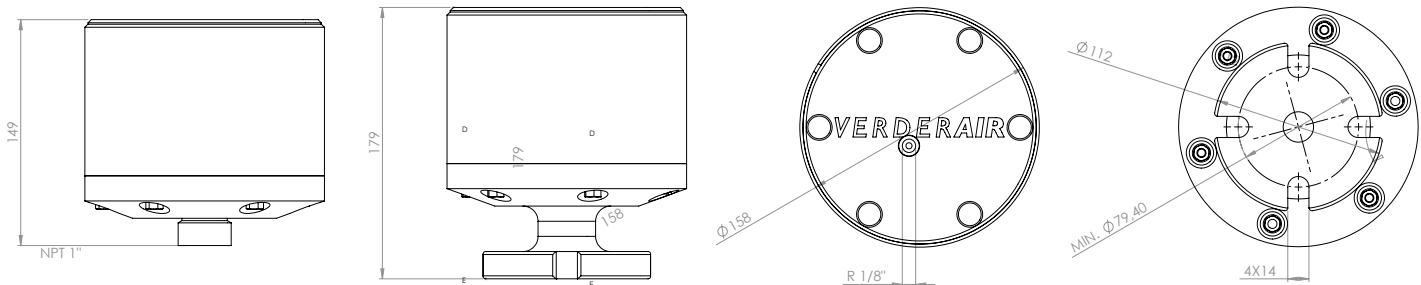
FS = Flanged slotted for DIN/ANSI/JIS

**Note: Not all combinations are available**

EXAMPLE PUMP TYPE

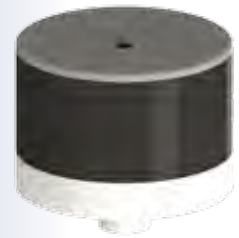
EXAMPLE : PD-P25EA EO TN

II 2GD c II B T70



Dimensions in mm

# Verderair PD-P40





PD-P40

## Technical data PD-P40

Nominal port size	PD-P40 xx xx TN	1 1/2 NPT male
	PD-P40 xx xx FS	Flanged DIN DN40, ANSI 1 1/2
Air inlet		R 1/4
Weight [lbs]	PD-P40 EA xx TN	4,6
	PD-P40 EG xx TN	4,1
	PD-P40 TA xx TN	6,3
	PD-P40 TG xx TN	5,8
	PD-P40 GG xx TN	4,1
	PD-P40 UG xx TN	5,7
	PD-P40 EA xx FS	4,9
	PD-P40 EG xx FS	4,4
	PD-P40 TA xx FS	7
	PD-P40 TG xx FS	6,5
	PD-P40 GG xx FS	4,4
	PD-P40 UG xx FS	6,4
Max. operation pressure [PSI]		7
Max. operating temperature [°F]	PD-P40 EA or PD-P40 EG	70
	PD-P40 TA	120
	PD-P40 GG	70
	PD-P40 TG or PD-P40 UG	70

## CODE PD-P40 No.1 No.2 No.3 No.4

### No.1 Liquid Housing

- E = Polyethylene (PE UHMW)
-  G = Conductive Polyethylene (PE UHMW)
- T = PTFE
-  U = Conductive PTFE

### no.2 Air Section

-  G = Conductive Polyethylene (PE UHMW)
- A = Polyamide

### No.3 Diaphragm

- EO = EPDM Overmolded
- TO = PTFE Overmolded


### No.4 Fluid Connection

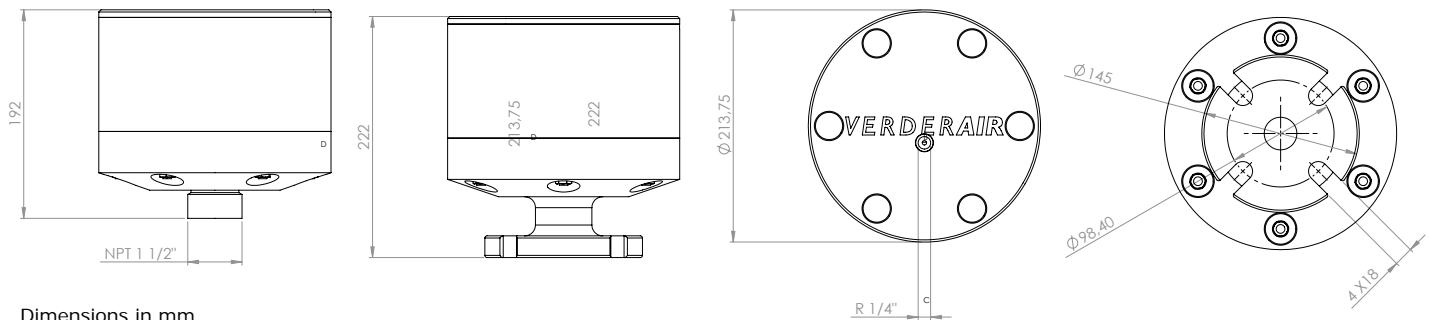
- TN = NPT Threaded male
- FS = Flanged slotted for DIN/ANSI/JIS

**Note: Not all combinations are available**

EXAMPLE PUMP TYPE

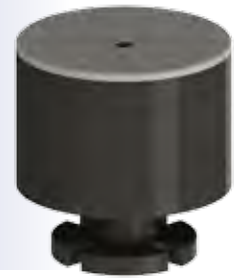
EXAMPLE : PD-P40EA EO TN

 II 2GD c II B T70



Dimensions in mm

# Verderair PD-P50



PD-P50

## Technical data PD-P50

Nominal port size	PD-P50 xx xx TN	2 NPT male
	PD-P50 xx xx FS	Flanged DIN DN50, ANSI 2
Air inlet		R 1/4
Weight [kg]	PD-P50 EA xx TN	11,6
	PD-P50 EG xx TN	10,3
	PD-P50 TA xx TN	15
	PD-P50 TG xx TN	13,8
	PD-P50 GG xx TN	10,3
	PD-P50 UG xx TN	13,2
	PD-P50 EA xx FS	12
	PD-P50 EG xx FS	10,7
	PD-P50 TA xx FS	16
	PD-P50 TG xx FS	14,8
	PD-P50 GG xx FS	10,6
	PD-P50 UG xx FS	14,2
Max. operation pressure [Bar]		7
Max. operating temperature [°C]	PD-P50 EA or PD-P50 EG	70
	PD-P50 TA	120
	PD-P50 GG	70
	PD-P50 TG or PD-P50 UG	70

## CODE PD-P50 No.1 No.2 No.3 No.4

### No.1 Liquid Housing

E = Polyethylene (PE.UHMW)

G = Conductive Polyethylene (PE UHMW)

T = PTFE

U = Conductive PTFE

### no.2 Air Section

G = Conductive Polyethylene (PE UHMW)

A = Polyamide

### No.3 Diaphragm

EO = EPDM Overmolded

TO = PTFE Overmolded

### No.4 Fluid Connection

TN = NPT Threaded male

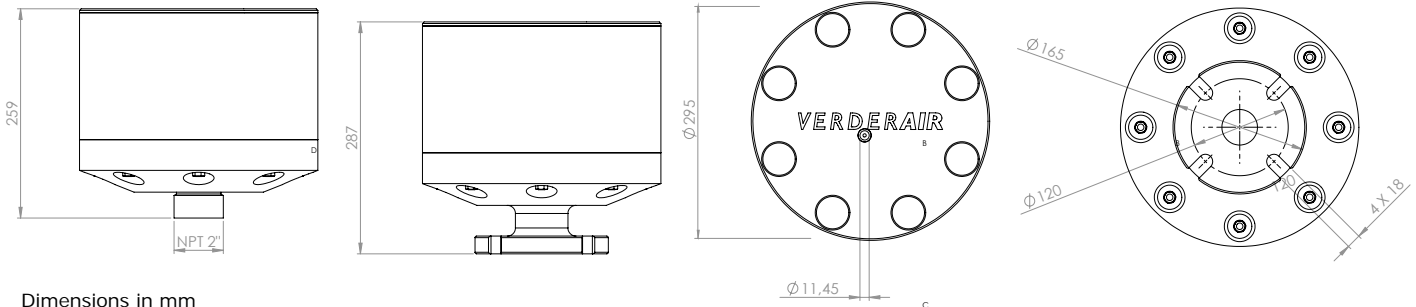
FS = Flanged Slotted for DIN/ANSI/JIS

**Note: Not all combinations are available**

EXAMPLE PUMP TYPE

EXAMPLE : PD-P50EA EO TN

II 2GD c II B T70



Dimensions in mm



Архангельск (8182)63-90-72  
Астана (7172)727-132  
Астрахань (8512)99-46-04  
Барнаул (3852)73-04-60  
Белгород (4722)40-23-64  
Брянск (4832)59-03-52  
Владивосток (423)249-28-31  
Волгоград (844)278-03-48  
Вологда (8172)26-41-59  
Воронеж (473)204-51-73  
Екатеринбург (343)384-55-89

Иваново (4932)77-34-06  
Ижевск (3412)26-03-58  
Иркутск (395)279-98-46  
Казань (843)206-01-48  
Калининград (4012)72-03-81  
Калуга (4842)92-23-67  
Кемерово (3842)65-04-62  
Киров (8332)68-02-04  
Краснодар (861)203-40-90  
Красноярск (391)204-63-61  
Курск (4712)77-13-04  
Липецк (4742)52-20-81

Магнитогорск (3519)55-03-13  
Москва (495)268-04-70  
Мурманск (8152)59-64-93  
Набережные Челны (8552)20-53-41  
Нижний Новгород (831)429-08-12  
Новокузнецк (3843)20-46-81  
Новосибирск (383)227-86-73  
Омск (3812)21-46-40  
Краснодар (861)203-40-90  
Орел (4862)44-53-42  
Оренбург (3532)37-68-04  
Пенза (8412)22-31-16

Пермь (342)205-81-47  
Ростов-на-Дону (863)308-18-15  
Рязань (4912)46-61-64  
Самара (846)206-03-16  
Санкт-Петербург (812)309-46-40  
Саратов (845)249-38-78  
Севастополь (8692)22-31-93  
Симферополь (3652)67-13-56  
Смоленск (4812)29-41-54  
Сочи (862)225-72-31  
Ставрополь (8652)20-65-13

Сургут (3462)77-98-35  
Тверь (4822)63-31-35  
Томск (3822)98-41-53  
Тула (4872)74-02-29  
Тюмень (3452)66-21-18  
Ульяновск (8422)24-23-59  
Уфа (347)229-48-12  
Хабаровск (4212)92-98-04  
Челябинск (351)202-03-61  
Череповец (8202)49-02-64  
Ярославль (4852)69-52-93

Россия (495)268-04-70 Киргизия (996)312-96-26-47 Казахстан (772)734-952-31

Единый адрес для всех регионов: [www.verderair.nt-rt.ru](http://www.verderair.nt-rt.ru) || [vru@nt-rt.ru](mailto:vru@nt-rt.ru)