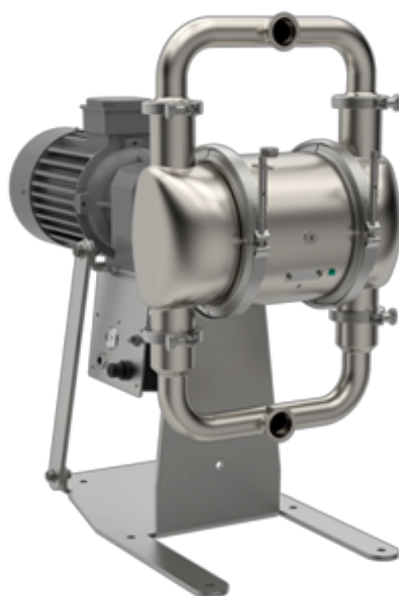


# ГИГИЕНИЧЕСКИЕ ЭЛЕКТРОНАСОСЫ VA-E2H53 SF



Архангельск (8182)63-90-72  
Астана (7172)727-132  
Астрахань (8512)99-46-04  
Барнаул (3852)73-04-60  
Белгород (4722)40-23-64  
Брянск (4832)59-03-52  
Владивосток (423)249-28-31  
Волгоград (844)278-03-48  
Вологда (8172)26-41-59  
Воронеж (473)204-51-73  
Екатеринбург (343)384-55-89

Иваново (4932)77-34-06  
Ижевск (3412)26-03-58  
Иркутск (395)279-98-46  
Казань (843)206-01-48  
Калининград (4012)72-03-81  
Калуга (4842)92-23-67  
Кемерово (3842)65-04-62  
Киров (8332)68-02-04  
Краснодар (861)203-40-90  
Красноярск (391)204-63-61  
Курск (4712)77-13-04  
Липецк (4742)52-20-81

Магнитогорск (3519)55-03-13  
Москва (495)268-04-70  
Мурманск (8152)59-64-93  
Набережные Челны (8552)20-53-41  
Нижний Новгород (831)429-08-12  
Новокузнецк (3843)20-46-81  
Новосибирск (383)227-86-73  
Омск (3812)21-46-40  
Орел (4862)44-53-42  
Оренбург (3532)37-68-04  
Пенза (8412)22-31-16

Пермь (342)205-81-47  
Ростов-на-Дону (863)308-18-15  
Рязань (4912)46-61-64  
Самара (846)206-03-16  
Санкт-Петербург (812)309-46-40  
Саратов (845)249-38-78  
Севастополь (8692)22-31-93  
Симферополь (3652)67-13-56  
Смоленск (4812)29-41-54  
Сочи (862)225-72-31  
Ставрополь (8652)20-65-13

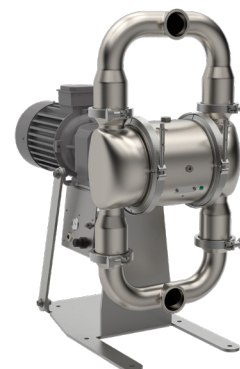
Сургут (3462)77-98-35  
Тверь (4822)63-31-35  
Томск (3822)98-41-53  
Тула (4872)74-02-29  
Тюмень (3452)66-21-18  
Ульяновск (8422)24-23-59  
Уфа (347)229-48-12  
Хабаровск (4212)92-98-04  
Челябинск (351)202-03-61  
Череповец (8202)49-02-64  
Ярославль (4852)69-52-93

Россия (495)268-04-70 Киргизия (996)312-96-26-47 Казахстан (772)734-952-31

Единый адрес для всех регионов: [www.verderair.nt-rt.ru](http://www.verderair.nt-rt.ru) || [vru@nt-rt.ru](mailto:vru@nt-rt.ru)

# VERDERAIR

## VA-E2H53 SF



The VA-E2H53 SF is a hygienic designed electrical operated double diaphragm pump. With the wide range of materials for valve seats, balls valves and diaphragms, this pump is the ideal problem solver for numerous hygienic applications. The VA-E2H series is used where a high degree of food safety is required. The VA-E2H is a reliable, easy to operate pump.

### Your benefits

- Most hygienic design for food applications
- Efficient engineered design which reduces the risk of contamination (low amount of products which come into contact with the medium)
- A high quality product with best price-performance ratio
- Can run against closed discharge valve without the need of overpressure safety equipment
- Dry self-priming

Technical Data			
Weight (kg)	<b>Drive option</b>	<b>Fluid &amp; air section</b>	
	WG	XS	138
	AC	XS	203
	BC	XS	188
	CC	XS	179
	AX	XS	256
	BX	XS	199
	CX	XS	187
	A2	XS	216
	B2	XS	201
C2	XS	192	
Max. Suction lift (mwc)		Dry	1,4
		Wet	9,1
Temperature limits (°C)	<b>Internals</b>	BUNA-N	-12      82
		FKM *	-40      135
		PTFE	4      104
		EPDM overmold diaphragms	-40      121
		Santoprene	-40      82
Max. Particle size (mm)			62,5
Air connection			3/8" NPT(f)
Air consumption (Nm³/h)			< 0,006
Max. recommended viscosity (mPas)			20.000
Certifications	<b>All models</b>	CE, FDA	
	<b>Internals</b>	diaphragms EO,TS	EN1935/2004
		diaphragms EO,TS	USP class VI

# VERDERAIR

## VA-E2H53 SF

Code VA-E2H53 No.1 No.2 No.3 No.4.No.5.No.6.No.7.No.8.No.9

### No. 1 Fluid Section Material

⊕ X = 316 Stainless Steel, Ra : 0,8µm

### No. 2 Air Section Material

⊕ S = 316 Stainless Steel

### No. 3 Check Valve seat material

SE = SS seat with EPDM o-rings  
 SB = SS seat with Buna-N o-rings  
 ST = SS seat with EP-TF o-rings  
 SV = SS seat with FKM o-rings

### No. 4 Check ball valves material

⊕ FL = SS316 Flapper



### No. 5 Diaphragm material

BN = BUNA-N  
 ⊕ EO = EPDM overmolded  
 SP = Santoprene  
 ⊕ TS = PTFE/Santoprene 2 piece  
 VT = Viton



### No. 6 Connections

D8 = DIN 11851, DN80, male  
 T8 = Tri-Clamp (ASME BPE), 3"

### No. 7 Drive options

AC = Gearbox with 5,5 kW drive (pump speeds : 164,145 or 130 RPM)  
 BC = Gearbox with 4,0 kW drive (pump speeds : 105 or 87 RPM)  
 CC = Gearbox with 3,0 kW drive (pump speed : 73 RPM)

Gearbox with 2,2kW drive (pump speed : 54 RPM)

A2 = AC + compressor 240V/50Hz

B2 = BC + compressor 240V/50Hz

C2 = CC + compressor 240V/50Hz

⊕ AX = Gearbox with 5,5 kW drive (pump speed +/- 125 RPM)

⊕ BX = Gearbox with 4,0 kW drive (pump speed +/- 90 RPM)

⊕ CX = Gearbox with 2,2 kW drive (pump speed +/- 54 RPM)

⊕\*\*WG = No gearbox, no drive

### No. 8 Pump style

SF = Flapper valve execution

### No. 9 Certifications

21 = EN 10204 type 2.1

31 = EN 10204 type 3.1

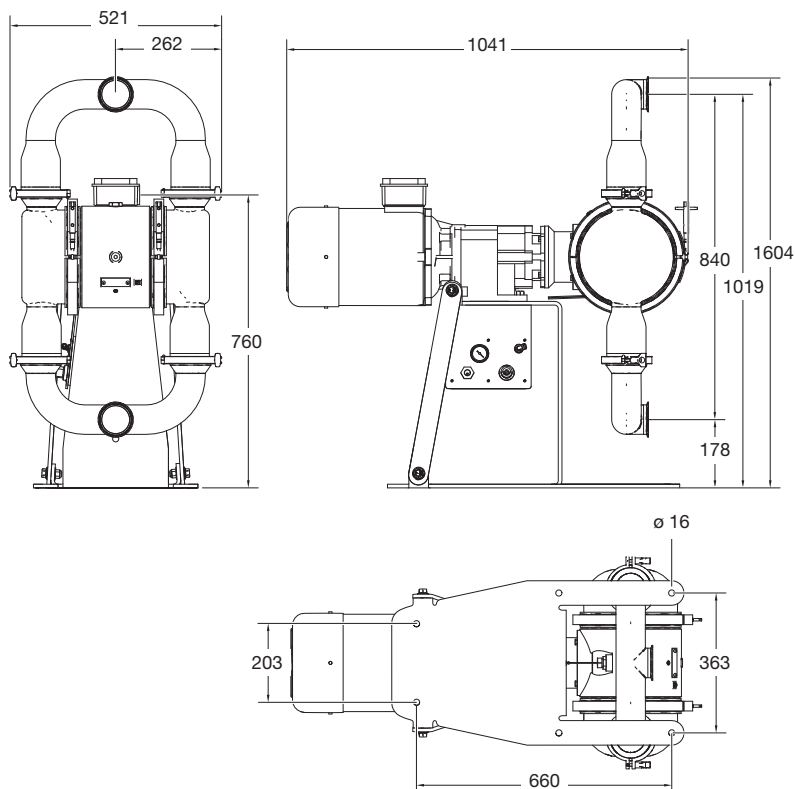
NOTE not all combinations are available

\*⊕ II 2 G Ex d h IIB T3 Gb \*\*⊕\*\* II 2 G Ex h IIB T3 Gb

### EXAMPLE PUMP TYPE

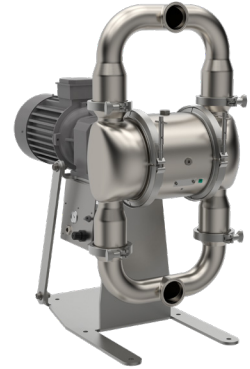
**VA-E2H53 XS SE FE FL D5 AC SF 21**

Dimensions (mm) typical only for pumps with 5,5 kW drive

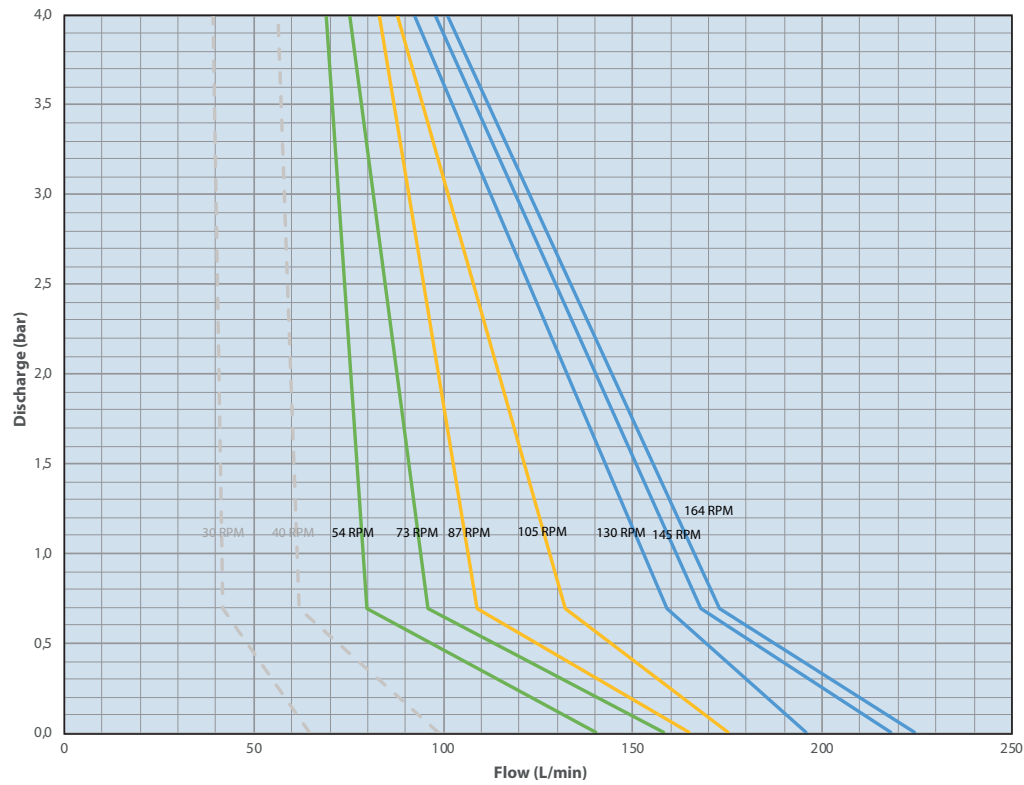


# VERDERAIR

## VA-E2H53 SF



### Flow rate





Архангельск (8182)63-90-72  
Астана (7172)727-132  
Астрахань (8512)99-46-04  
Барнаул (3852)73-04-60  
Белгород (4722)40-23-64  
Брянск (4832)59-03-52  
Владивосток (423)249-28-31  
Волгоград (844)278-03-48  
Вологда (8172)26-41-59  
Воронеж (473)204-51-73  
Екатеринбург (343)384-55-89

Иваново (4932)77-34-06  
Ижевск (3412)26-03-58  
Иркутск (395)279-98-46  
Казань (843)206-01-48  
Калининград (4012)72-03-81  
Калуга (4842)92-23-67  
Кемерово (3842)65-04-62  
Киров (8332)68-02-04  
Краснодар (861)203-40-90  
Красноярск (391)204-63-61  
Курск (4712)77-13-04  
Липецк (4742)52-20-81

Магнитогорск (3519)55-03-13  
Москва (495)268-04-70  
Мурманск (8152)59-64-93  
Набережные Челны (8552)20-53-41  
Нижний Новгород (831)429-08-12  
Новокузнецк (3843)20-46-81  
Новосибирск (383)227-86-73  
Омск (3812)21-46-40  
Краснодар (861)203-40-90  
Орел (4862)44-53-42  
Оренбург (3532)37-68-04  
Пенза (8412)22-31-16

Пермь (342)205-81-47  
Ростов-на-Дону (863)308-18-15  
Рязань (4912)46-61-64  
Самара (846)206-03-16  
Санкт-Петербург (812)309-46-40  
Саратов (845)249-38-78  
Севастополь (8692)22-31-93  
Симферополь (3652)67-13-56  
Смоленск (4812)29-41-54  
Сочи (862)225-72-31  
Ставрополь (8652)20-65-13

Сургут (3462)77-98-35  
Тверь (4822)63-31-35  
Томск (3822)98-41-53  
Тула (4872)74-02-29  
Тюмень (3452)66-21-18  
Ульяновск (8422)24-23-59  
Уфа (347)229-48-12  
Хабаровск (4212)92-98-04  
Челябинск (351)202-03-61  
Череповец (8202)49-02-64  
Ярославль (4852)69-52-93

Россия (495)268-04-70 Киргизия (996)312-96-26-47 Казахстан (772)734-952-31

Единый адрес для всех регионов: [www.verderair.nt-rt.ru](http://www.verderair.nt-rt.ru) || [vru@nt-rt.ru](mailto:vru@nt-rt.ru)