

ГИГИЕНИЧЕСКИЕ ЭЛЕКТРОНАСОСЫ VA-E2H54 SF



Архангельск (8182)63-90-72
Астана (7172)727-132
Астрахань (8512)99-46-04
Барнаул (3852)73-04-60
Белгород (4722)40-23-64
Брянск (4832)59-03-52
Владивосток (423)249-28-31
Волгоград (844)278-03-48
Вологда (8172)26-41-59
Воронеж (473)204-51-73
Екатеринбург (343)384-55-89

Иваново (4932)77-34-06
Ижевск (3412)26-03-58
Иркутск (395)279-98-46
Казань (843)206-01-48
Калининград (4012)72-03-81
Калуга (4842)92-23-67
Кемерово (3842)65-04-62
Киров (8332)68-02-04
Краснодар (861)203-40-90
Красноярск (391)204-63-61
Курск (4712)77-13-04
Липецк (4742)52-20-81

Магнитогорск (3519)55-03-13
Москва (495)268-04-70
Мурманск (8152)59-64-93
Набережные Челны (8552)20-53-41
Нижний Новгород (831)429-08-12
Новокузнецк (3843)20-46-81
Новосибирск (383)227-86-73
Омск (3812)21-46-40
Орел (4862)44-53-42
Оренбург (3532)37-68-04
Пенза (8412)22-31-16

Пермь (342)205-81-47
Ростов-на-Дону (863)308-18-15
Рязань (4912)46-61-64
Самара (846)206-03-16
Санкт-Петербург (812)309-46-40
Саратов (845)249-38-78
Севастополь (8692)22-31-93
Симферополь (3652)67-13-56
Смоленск (4812)29-41-54
Сочи (862)225-72-31
Ставрополь (8652)20-65-13

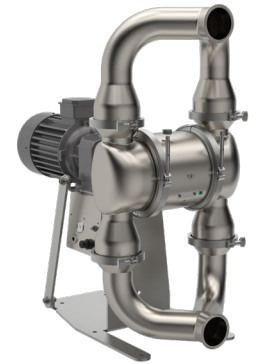
Сургут (3462)77-98-35
Тверь (4822)63-31-35
Томск (3822)98-41-53
Тула (4872)74-02-29
Тюмень (3452)66-21-18
Ульяновск (8422)24-23-59
Уфа (347)229-48-12
Хабаровск (4212)92-98-04
Челябинск (351)202-03-61
Череповец (8202)49-02-64
Ярославль (4852)69-52-93

Россия (495)268-04-70 Киргизия (996)312-96-26-47 Казахстан (772)734-952-31

Единый адрес для всех регионов: www.verderair.nt-rt.ru || vru@nt-rt.ru

VERDERAIR

VA-E2H54 SF



The VA-E2H54 SF is a hygienic designed electrical operated double diaphragm pump. With the wide range of materials for valve seats, balls valves and diaphragms, this pump is the ideal problem solver for numerous hygienic applications. The VA-E2H series is used where a high degree of food safety is required. The VA-E2H is a reliable, easy to operate pump.

Your benefits

- Most hygienic design for food applications
- Efficient engineered design which reduces the risk of contamination (low amount of products which come into contact with the medium)
- A high quality product with best price-performance ratio
- Can run against closed discharge valve without the need of overpressure safety equipment
- Dry self-priming

Technical Data			
Weight (kg)	Drive option	Fluid & air section	
	WG	XS	157
	BC	XS	207
	CC	XS	198
	BX	XS	218
	CX	XS	206
	B2	XS	220
	C2	XS	211
Max. Suction lift (mwc)		Dry	1,4
		Wet	9,1
Temperature limits(°C)	Internals	BUNA-N	-12 82
		FKM *	-40 135
		PTFE	4 104
		EPDM overmold diaphragms	-40 121
		Santoprene	-40 82
Max. Particle size (mm)			96,5
Air connection			3/8" NPT(f)
Air consumption (Nm³/h)			< 0,006
Max. recommended viscosity (mPas)			20.000
Certifications	All models	CE, FDA	
	Internals	diaphragms EO,TS diaphragms EO,TS	EN1935/2004 USP class VI

VERDERAIR

VA-E2H54 SF

Code VA-E2H54 No.1 No.2 No.3 No.4.No.5.No.6.No.7.No.8.No.9

No. 1 Fluid Section Material

⊕ X = 316 Stainless Steel, Ra : 0,8µm

No. 2 Air Section Material

⊕ S = 316 Stainless Steel

No. 3 Check Valve seat material

SE = SS seat with EPDM o-rings
 SB = SS seat with Buna-N o-rings
 ST = SS seat with EP-TF o-rings
 SV = SS seat with FKM o-rings

No. 4 Check ball valves material

FL = SS316 Flapper

No. 5 Diaphragm material

BN = BUNA-N
 EO = EPDM overmolded
 SP = Santoprene
 TS = PTFE/Santoprene 2 piece
 VT = Viton

No. 6 Connections

D1 = DIN 11851, DN100, male
 T1 = Tri-Clamp (ASME BPE), 4"

No. 7 Drive options

BC = Gearbox with 4,0 kW drive (pump speeds : 105 or 87 RPM)
 CC = Gearbox with 3,0 kW drive (pump speed : 73 RPM)
 Gearbox with 2,2kW drive (pump speed : 54 RPM)

B2 = BC + compressor 240V/50Hz

C2 = CC + compressor 240V/50Hz

⊕ BX = Gearbox with 4,0 kW drive (pump speed +/- 90 RPM)

⊕ CX = Gearbox with 2,2 kW drive (pump speed +/- 54 RPM)

⊕**WG = No gearbox, no drive

No. 8 Pump style

SF = Flapper valve execution

No. 9 Certifications

21 = EN 10204 type 2.1

31 = EN 10204 type 3.1

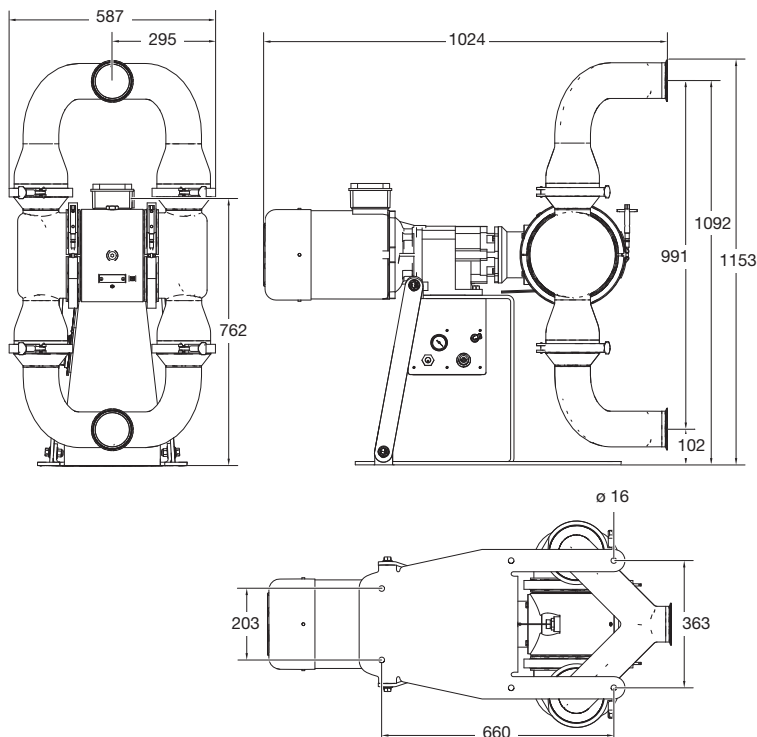
NOTE not all combinations are available

⊕ II 2 G Ex d h IIB T3 Gb **⊕** II 2 G Ex h IIB T3 Gb

EXAMPLE PUMP TYPE

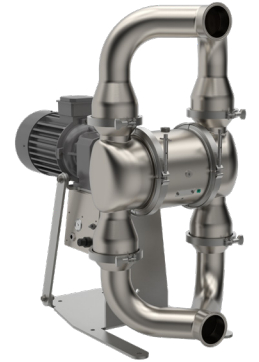
VA-E2H54 XS SE FE FL D5 BC SF 21

Dimensions (mm) typical only for pumps with 4 kW drive

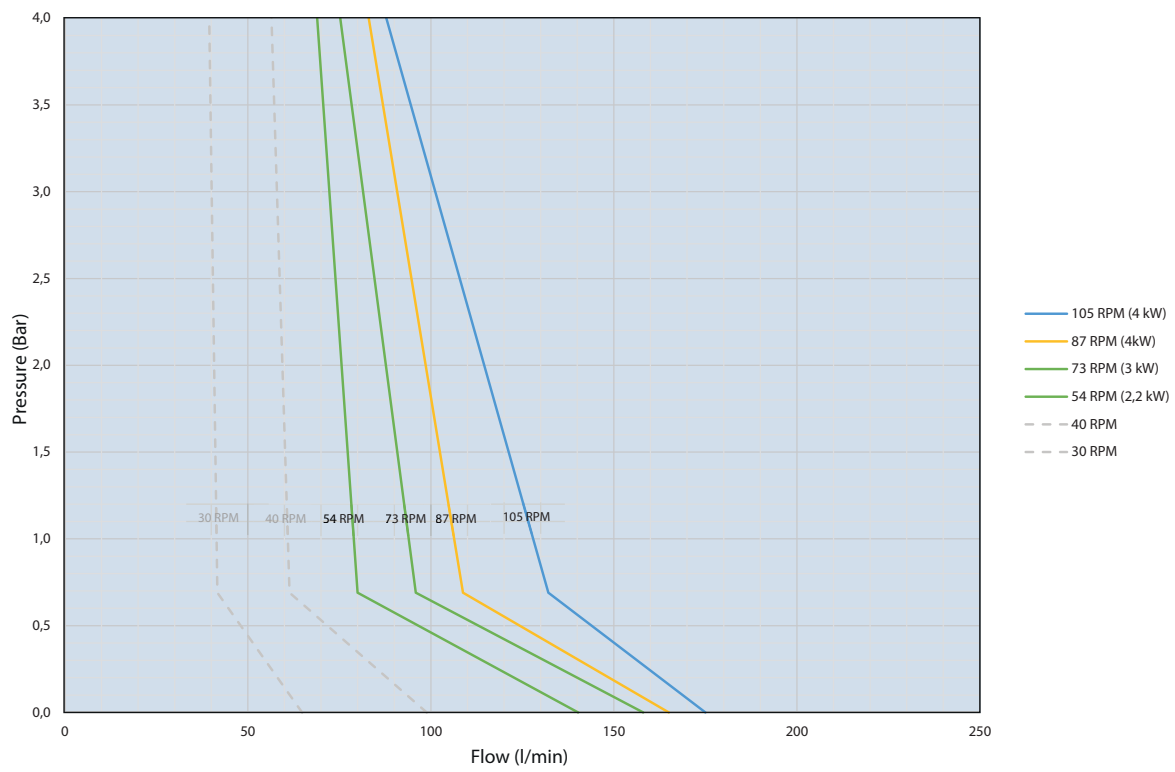


VERDERAIR

VA-E2H54 SF



Flow rate





Архангельск (8182)63-90-72
Астана (7172)727-132
Астрахань (8512)99-46-04
Барнаул (3852)73-04-60
Белгород (4722)40-23-64
Брянск (4832)59-03-52
Владивосток (423)249-28-31
Волгоград (844)278-03-48
Вологда (8172)26-41-59
Воронеж (473)204-51-73
Екатеринбург (343)384-55-89

Иваново (4932)77-34-06
Ижевск (3412)26-03-58
Иркутск (395)279-98-46
Казань (843)206-01-48
Калининград (4012)72-03-81
Калуга (4842)92-23-67
Кемерово (3842)65-04-62
Киров (8332)68-02-04
Краснодар (861)203-40-90
Красноярск (391)204-63-61
Курск (4712)77-13-04
Липецк (4742)52-20-81

Магнитогорск (3519)55-03-13
Москва (495)268-04-70
Мурманск (8152)59-64-93
Набережные Челны (8552)20-53-41
Нижний Новгород (831)429-08-12
Новокузнецк (3843)20-46-81
Новосибирск (383)227-86-73
Омск (3812)21-46-40
Краснодар (861)203-40-90
Орел (4862)44-53-42
Оренбург (3532)37-68-04
Пенза (8412)22-31-16

Пермь (342)205-81-47
Ростов-на-Дону (863)308-18-15
Рязань (4912)46-61-64
Самара (846)206-03-16
Санкт-Петербург (812)309-46-40
Саратов (845)249-38-78
Севастополь (8692)22-31-93
Симферополь (3652)67-13-56
Смоленск (4812)29-41-54
Сочи (862)225-72-31
Ставрополь (8652)20-65-13

Сургут (3462)77-98-35
Тверь (4822)63-31-35
Томск (3822)98-41-53
Тула (4872)74-02-29
Тюмень (3452)66-21-18
Ульяновск (8422)24-23-59
Уфа (347)229-48-12
Хабаровск (4212)92-98-04
Челябинск (351)202-03-61
Череповец (8202)49-02-64
Ярославль (4852)69-52-93

Россия (495)268-04-70 Киргизия (996)312-96-26-47 Казахстан (772)734-952-31

Единый адрес для всех регионов: www.verderair.nt-rt.ru || vru@nt-rt.ru